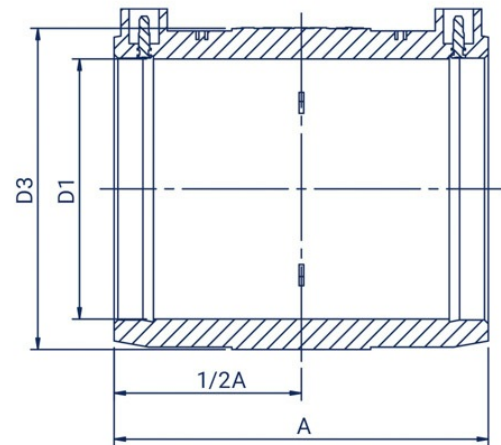




- material: PE 100-RC
- application: water and gas
- 10 bar water, 5 bar gas
- MRS - 10 MPa
- removable centre stop
- no centre stop in 315-630 mm diameters



Code	D1 (mm)	D3 (mm)	A (mm)	Quantity per parcel
ME11017	110	134	157	14
ME12517	125	152	167	18
ME14017	140	168	176	14
ME16017	160	195	180	12
ME18017	180	213	186	8
ME20017	200	241	189	6
ME22517	225	271	221	4
ME25017	250	295	224	2
ME28017	280	336	247	2
ME31517	315	352	255	2
ME35517	355	412	296	2
ME40017	400	462	303	1
ME45017	450	512	320	1
ME50017	500	575	377	1
ME56017	560	630	390	1
ME63017	630	714	396	1

