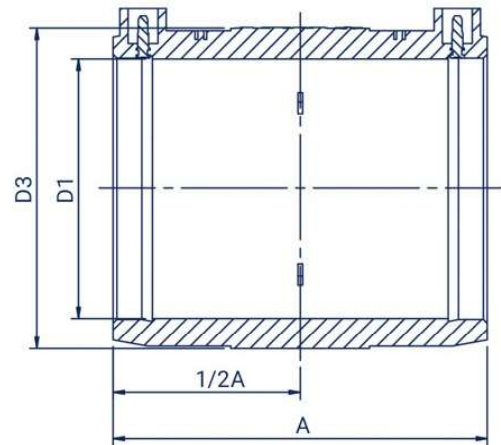




- material: PE 100-RC
- application: water and gas
- 25 bar water, 10 bar gas
- MRS - 10 MPa
- removable centre stop



Code	D1 (mm)	D3 (mm)	A (mm)	Quantity per parcel
ME05074	50	79	114	36
ME06374	63	95	134	30
ME07574	75	110	148	20
ME09074	90	132	155	14
ME11074	110	150	166	8
ME16074	160	208	180	8

